

Insert 10 - Round Fixed

REF: IN010-RF

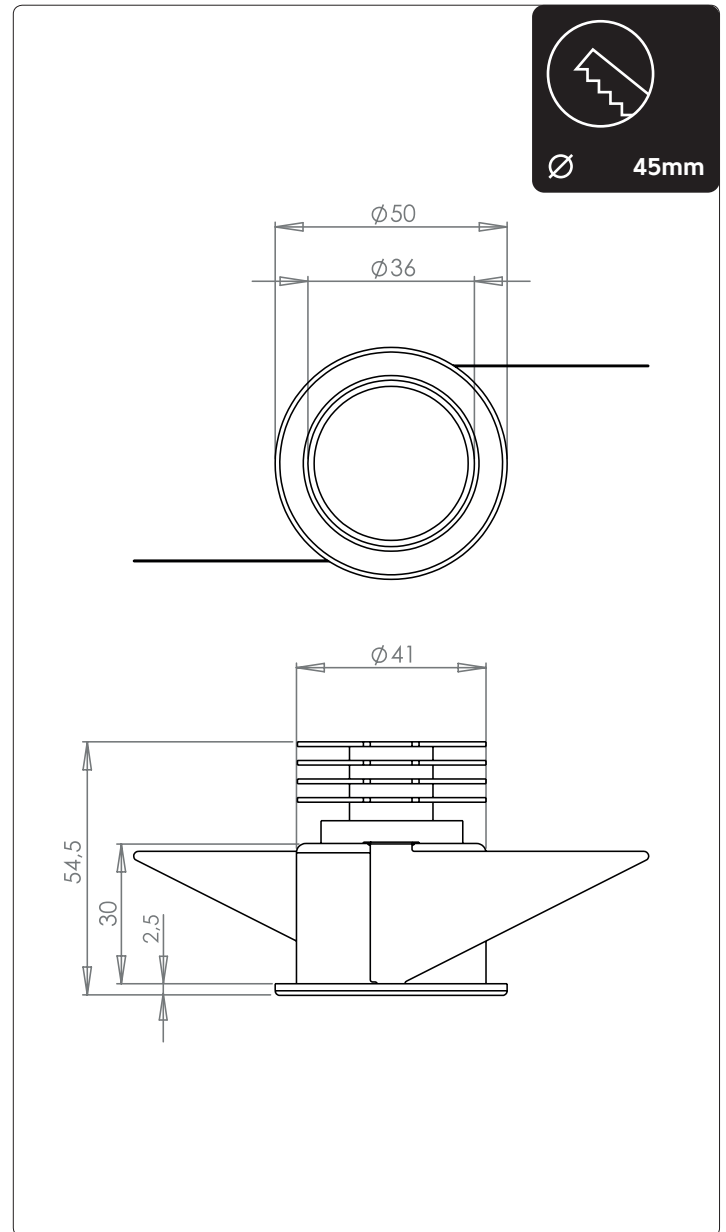
RECESSED

EN



↓ PRODUCT DESCRIPTION

This round recessed LED ceiling light is suitable for all indoor general, accent and ambient lighting requirements. Its sleek design and small size make it easy to fit to a ceiling, and it has multiple configurations depending on the required colour temperature, beam size, and finish.



↓ OUTPUT

8W

↓ LUMENS

800lm

↓ CRI

IRC90

↓ POWER SUPPLY

0,7A

↓ DIMMING

1-10V



DMX

↓ DEGREES

10°

20°

30°

50°

↓ IP RATING

IP 40

↓ USE



↓ COLOUR TEMPERATURE

2700K

3000K

3500K

4000K

↓ STANDARDS COMPLIANCE

EN 62471

EN 60598-1

EN 60598-2

CE

ETL

III

↓ COLOURS

BK

WH

AL

CH

GO

RAL COLOURS

Insert 10 - Round Fixed

REF: IN010-RF

RECESSED

EN

↓ SOURCES

- Luminous flux according to Bining: 800 lumens;
- Colour temperature: 2700 K to 4000 K (2 at 3 Macadam step);
- Service Range: 70 % of nominal flux after 50 000 hours;
- Colour Rendering Index: CRI 90.

↓ OPTIQUES

- PMMA acrylic lens, efficiency ~90 %;
- Available degrees: 10°, 20°, 30° et 50°.

↓ ELECTRICAL CHARACTERISTICS

- Constant current supply: 0,7A;
- Supply connection: Polarised output connectors;
- Power consumption to 8W max, excluding supply;
- Electrical Classification: Class III SELV device.

↓ MECHANICAL CHARACTERISTICS

- Dimensions: Diameter 50 mm, Overall Height 54.5 mm;
- Operating temperature: -5° +40°;
- ROHS components;
- Interior use only.

↓ SPECIFICITIES

- Electrolytic treatment available;
- 3 years guarantee.

↓ CLASSIFICATION

Product Ref.	IN010			
Specification	RF			
Colour	Black		BK	
	White		WH	
	Aluminum		AL	
	Chromium		CU	
	Gold		CU	
	RAL		CU	
Colour temperature	2700K			27
	3000K			30
	3500K			35
	4000K			40
Degrees	10°			10
	20°			20
	30°			30
	50°			50
REFERENCE	IN010 - RF - BK - 27 - 10			